



## PRO MAX ——— 12N4-2000W

### TECHNICAL SPECIFICATION

Nominal Woofer Size	300 mm (12 in)
Voice Coil Diameter	100 mm (4 in)
Impedance	4 + 4 Ohm
Minimum Impedance	4.2 + 4.2 Ohm
RMS Power	1000 WRMS
Max Power	2000 W
Frequency Range	90 Hz - 3 kHz
Sensitivity (1W - 1m)	94 dB
Sensitivity (2.83V)	93.70 dB
Voice Coil Wire	100% Copper
Voice Coil Winding Height	24 mm (0.95 in)
Voice Coil Material	GFT Fiberglass
Cone Material	Paper
Magnet Material	Neodymium
Gap Height	10 mm (0.39 in)
Demodulation Ring	No
Terminal Connection	Push Terminals

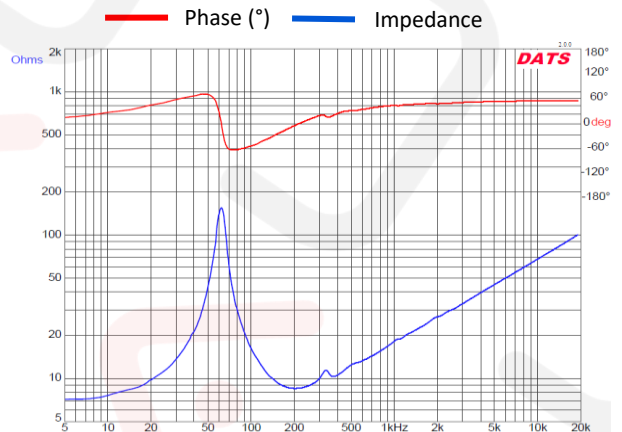
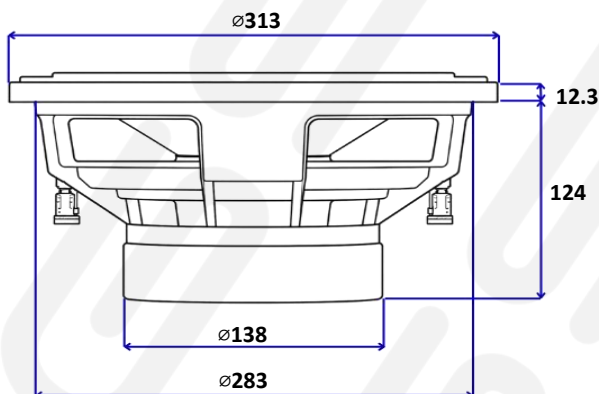
### THIELE&SMALL PARAMETERS

Re (Ohm)	8.58
Fs (Hz)	61.91
Le (mH) at 10kHz	1.08
Vas (L)	37.32
Cms (mm/N)	0.09
Bl (Txm)	20.72
Q(ts)	0.52
Q(ms)	9.30
Q(es)	0.55
Xmax (mm - one way)	10
Mms (g)	70.11
Sd (cm <sup>2</sup> )	557.19
Xdamage (mm)	17.5
Eta Zero n(0)	1.55
Magnetic Flux (T)	1.05

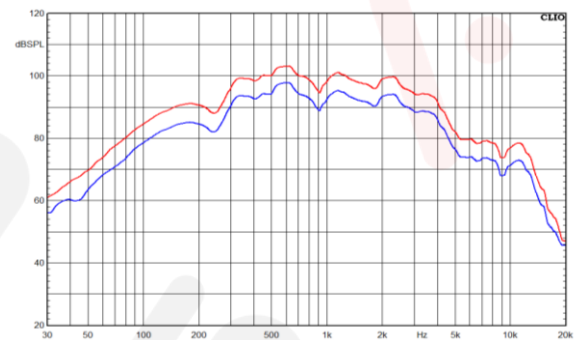
### SPEAKER AND PACKAGE DIMENSIONS

Outer Diameter	313 mm (12.3 in)
Mounting Holes	8 x Ø6 mm on 296 mm (11.7 in)
Mounting Diameter	283 mm (11.1 in)
Mounting Depth	124 mm (4.9 in)
Magnet Diameter	138 mm (5.4 in)
Neo. Magnet Dimensions	98 x 10 mm (3.9 x 0.4 in)
Speaker Volume	3.3 L (0.12 ft <sup>3</sup> )
Speaker Weight	5.4 kg (11.9 lb)
Package Weight	6.2 kg (13.7 lb)

### DRAWING DIMENSIONS / INSTALLATION



— Frequency Response 0 degree - Coils in parallel  
 — Frequency Response 0 degree - Coils in series



Graph measured at 2.83V - 1m  
 Nearfield frequency response measured at nominal sensitivity